

20X Low Capacitance Probe

P6158

★ Features and Benefits

- 3 GHz Bandwidth
- 1.5 pF Input Capacitance
- 1 k Ω Input Resistance
- 22 V_{RMS} Max. Input Voltage
- Activates 20X Readout in TEKPROBE® Interface Instruments
- Compact Probe Tip Compatible with a Wide Range of Tektronix Accessories and Adapters



A Applications

- High-speed Device Characterization
- Propagation Delays for ECL, CMOS, and Other Logic Circuitry and Devices
- Circuit Board Impedance Testing (TDR)
- High-speed Sampling Systems

The P6158 is a 3 GHz, 20X, low-capacitance probe. The P6158 is ideal for high-speed applications because of its ability to extend high-frequency response to 3 GHz. The BNC connector incorporates encoding to correct scale factors for 20X attenuation in oscilloscopes with TEKPROBE® interface. To facilitate SMD probing, the P6158 comes standard with SureFoot™ adapters. Additionally, the probe comes standard with an array of

short ground leads that insert minimal inductance into the signal path of the measured waveform. The compact probe head/tip assembly is compatible with the full line of 3.5 mm probe accessories. Although designed for the TDS 500/600/700 series oscilloscopes, the P6158 probe may be used with 11000 Series plug-ins, and the 11800 Series SD2X Sampling/TDR plug-ins.

CHARACTERISTICS

TYPICAL SPECIFICATIONS

Bandwidth (Probe Only) – DC to 3 GHz, –3 dB.
Rise Time – <100 ps.
Attenuation – Γ 20 (–26 dB).
Attenuation Accuracy – \pm 3%.
Input C – 1.5 pF.
Input R – 1 k Ω .
Output Termination – Terminate into 50 Ω .
Signal Delay – 5 ns.

PHYSICAL CHARACTERISTICS

Probe Tip/Head Style – 3.5 mm/Compact.
Output Cable Length – 1.2 m.

ENVIRONMENTAL CHARACTERISTICS

Temperature –
Operating: –15° C to +55° C (+5° F to +131° F).

Humidity –
High Operating: 55° C @ 95 to 97% RH.
Low Operating: 30° C @ 95 to 97% RH.

RECOMMENDED INSTRUMENTS

TDS 500/600/700 Series.
11000 Series.
11800 SD2X Sampling/TDR plug-ins.

CE Certified for CE Marking.



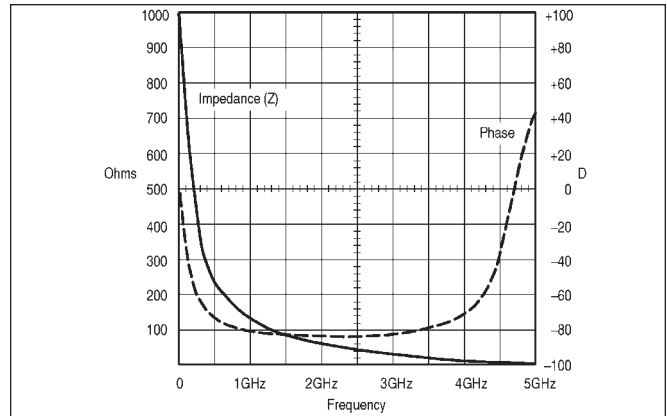
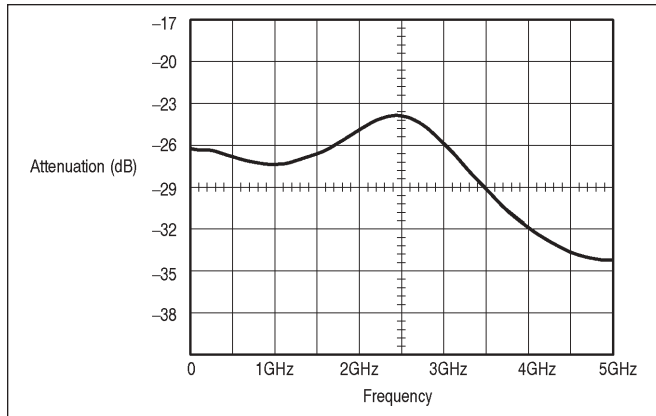
See Tektronix on the World Wide Web:
<http://www.tek.com>



Tektronix Measurement
products are manufactured
in ISO registered facilities.

20X Low Capacitance Probe

P6158



ORDERING INFORMATION

P6158
3 GHz Low Capacitance Probe.

Includes: P6158 Probe Tip Accessory Kit (020-2232-00) with: Attenuator Tip Cover (204-1049-00); 2 ea. 50 mil, 25 mil (0.65 mm), and 0.5 mm SureFoot™ Adapters; 2-in. Ground Lead (195-4240-00); Ground Collar (343-1003-01); 2 ea. Ground Tip Contact, 5 lengths w/cover shell (016-1077-00); 2 ea. Compact Probe Tip Circuit Board Test Points; 2 ea. Marker Set, Various Colors (016-0633-00); Instruction Manual (071-0123-00).

RECOMMENDED REPLACEMENT ACCESSORIES

SureFoot™ Adapter, Orange, 50 mil (12 ea.) – SF201A.

SureFoot™ Adapter, Blue, 0.65 mm/25 mil (12 ea.) – SF202A.

SureFoot™ Adapter, Red, 0.50 mm/20 mil (12 ea.) – SF203A.

Compact Probe Tip Circuit Board Test Points (25 ea.) – 131-5031-00.

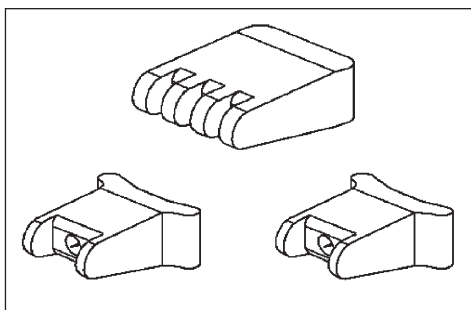


Figure 3. SF200A Series SureFoot™ adapters.

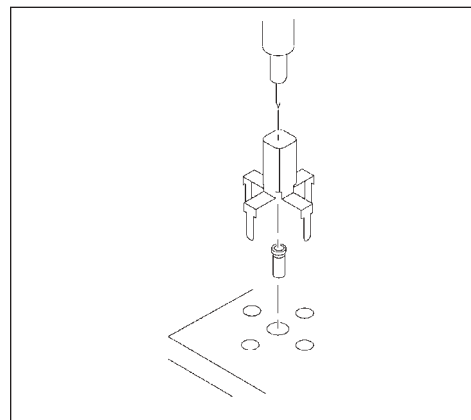


Figure 4. Compact probe tip circuit board test points.

For further information, contact Tektronix:

World Wide Web: <http://www.tek.com>; ASEAN Countries (65) 356-3900; Australia & New Zealand 61 (2) 888-7066; Austria, Eastern Europe, & Middle East +43 2236 8092 0; Belgium +32 (2) 715.89.70; Brazil and South America 55 (11) 3741-8360; Canada 1 (800) 661-5625; Denmark +45 (44) 850 700; Finland +358 (9) 4783 400; France & North Africa +33 1 69 86 81 81; Germany + 49 (221) 94 77 400; Hong Kong (852) 2585-6688; India (91) 80-2275577; Italy +39 (2) 25086 501; Japan (Sony/Tektronix Corporation) 81 (3) 3448-3111; Mexico, Central America, & Caribbean 52 (5) 666-6333; The Netherlands +31 23 56 95555; Norway +47 22 07 07 00; People's Republic of China 86 (10) 6235 1230; Republic of Korea 82 (2) 528-5299; South Africa (27 11)651-5222; Spain & Portugal +34 (1) 372 6000; Sweden +46 (8) 629 6503; Switzerland +41 (41) 729 36 40; Taiwan 886 (2) 722-9622; United Kingdom & Eire +44(0)1628 403400; USA 1 (800) 426-2200.

From other areas, contact: Tektronix, Inc. Export Sales, P.O. Box 500, M/S 50-255, Beaverton, Oregon 97077-0001, USA 1 (503) 627-6877.

Copyright © 1998, Tektronix, Inc. All rights reserved. Tektronix products are covered by U.S. and foreign patents, issued and pending. Information in this publication supersedes that in all previously published material. Specification and price change privileges reserved. TEKTRONIX and TEK are registered trademarks of Tektronix, Inc. All other trade names referenced are the service marks, trademarks, or registered trademarks of their respective companies.

